

Style A

Y-Strainer

Cast Iron (ASTM A 126, Class B)

250 lb.



Cast Iron Y-Strainer

APPLICATIONS

Steam, water, oil or gas where protection from foreign matter in a pipeline is required.

CONSTRUCTION

The Keckley Style A strainers are constructed from rugged cast iron castings that are machined to exacting specifications. These bodies have drilled flanges that are in accordance with ASME B16.1.

FEATURES

The Keckley Style A strainer features a machined groove in both the body and cover for proper screen alignment and to ensure accurate reseating when servicing is required. The gasket is a synthetic fiber that is compressed between the body and cover for maximum strength and durability. Keckley Style A strainers can be furnished with a blow-off plug upon request.

SCREENS

Standard perforated 304 stainless steel screens are spot welded along the seam for maximum strength. Different size perforations and meshes are available in stainless steel, monel, and brass to meet specific media requirements. If the media is not indicated, screens for *water* will be supplied.

SELF CLEANING

Self cleaning is accomplished by opening the valve or drain plug connected to the blow-off port. **Warning:** See Maintenance Instructions on page S6 of the Strainer Information Section for additional precautions and detailed information on servicing the strainer.

WORKING PRESSURES - NON SHOCK

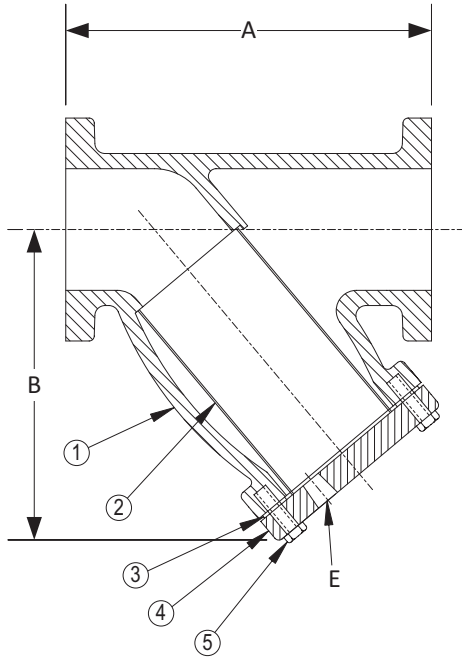
| NOM. RATING | MEDIA | 2" to 12" | 50 mm to 300 mm |
|--------------------------------------|--------------|--------------------|--------------------------|
| 250# R.F. & D. (EX. HEAVY FLANGE) | STEAM | 250 PSI @ 450°F | 1724 KPa @ 232°C |
| | W.O.G. | 500 PSI @ 150°F | 3449 KPa @ 66°C |
| | MEDIA | 14" and 16" | 350 mm and 400 mm |
| | STEAM | 200 PSI @ 406°F | 1379 KPa @ 208°C |
| | W.O.G. | 300 PSI @ 150°F | 2069 KPa @ 66°C |

GOVERNMENT/MILITARY SPECIFICATIONS

Style A cast iron flanged strainers meet or exceed government specification WW-S-2739 (Supersedes MIL-S-16293).

Style A

Y-Strainer, 250 lb. Flanged
Cast Iron (ASTM A 126, Class B)



PARTS LIST

| ITEM | DESCRIPTION | MATERIAL |
|------|--------------------|---------------------------------|
| 1 | Body | Cast Iron (ASTM A 126, Class B) |
| 2 | Screen | Stainless Steel (304) |
| 3 | Gasket | Composition |
| 4 | Cover | Cast Iron (ASTM A 126, Class B) |
| 5 | Hex Head Cap Screw | Steel |

Optional: Blow-off Plug (Malleable Iron).

STANDARD SCREENS SUPPLIED

| SIZE | | SCREEN GAGE | SCREEN PERFORATION | | | | | |
|---------|------------|-------------|--------------------|-----|------------|------|-----------|------|
| in | mm | | FOR STEAM | | FOR LIQUID | | OPEN AREA | |
| | | | in | mm | AREA | in | mm | AREA |
| 2 to 4 | 50 to 100 | 28 | 3/64 | 1.2 | 33% | 1/16 | 1.6 | 30% |
| 5 to 10 | 125 to 250 | 24 | 3/64 | 1.2 | 33% | 1/8 | 3.2 | 43% |
| 12 | 300 | 24 | 1/16 | 1.6 | 30% | 1/8 | 3.2 | 43% |
| 14 & 16 | 350 & 400 | 20 | 1/8 | 3.2 | 43% | 1/8 | 3.2 | 43% |

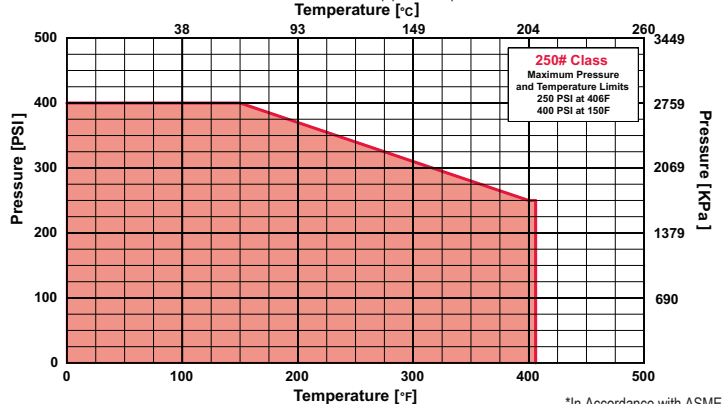
Standard screens supplied are for **liquid service**, unless otherwise specified.
Options: Other perforations, meshes, and screen materials are available.

| SIZE | | DIMENSIONS | | | | | | WEIGHTS | |
|-------|-----|------------|------|--------|-----|-------|----|---------|-----|
| | | A | | B | | E | | | |
| in | mm | in | mm | in | mm | in | mm | lbs | kgs |
| 2 | 50 | 9-7/8 | 251 | 6-1/4 | 159 | 1/2 | 15 | 33 | 15 |
| 2-1/2 | 65 | 11-1/4 | 286 | 7-3/4 | 197 | 1 | 25 | 49 | 22 |
| 3 | 80 | 12-1/2 | 318 | 8-1/4 | 210 | 1 | 25 | 57 | 26 |
| 4 | 100 | 14-5/8 | 371 | 10-1/8 | 257 | 1-1/4 | 32 | 106 | 48 |
| 5 | 125 | 18 | 457 | 12-1/2 | 318 | 1-1/4 | 32 | 157 | 71 |
| 6 | 150 | 20-3/8 | 518 | 14-3/8 | 365 | 1-1/2 | 40 | 215 | 98 |
| 8 | 200 | 23-7/8 | 606 | 17-1/2 | 445 | 1-1/2 | 40 | 315 | 143 |
| 10 | 250 | 29-5/8 | 752 | 21 | 533 | 2 | 50 | 525 | 238 |
| 12 | 300 | 33-3/4 | 857 | 23-5/8 | 600 | 2 | 50 | 700 | 318 |
| 14 | 350 | 38 | 965 | 27-1/8 | 689 | 2 | 50 | 1400 | 635 |
| 16 | 400 | 42-3/8 | 1076 | 29-1/4 | 743 | 2 | 50 | 1850 | 839 |

Certified dimensional drawings are available upon request.
†This table reflects only the nearest metric equivalents.

PRESSURE vs. TEMPERATURE CHART

250# Flanged Cast Iron (ASTM A 126, Class B)
Suitable for use with pipe sizes up to 12"



*In Accordance with ASME B16.1